

Electronic Operating Hours Counters (Housing Dia., 52 mm)

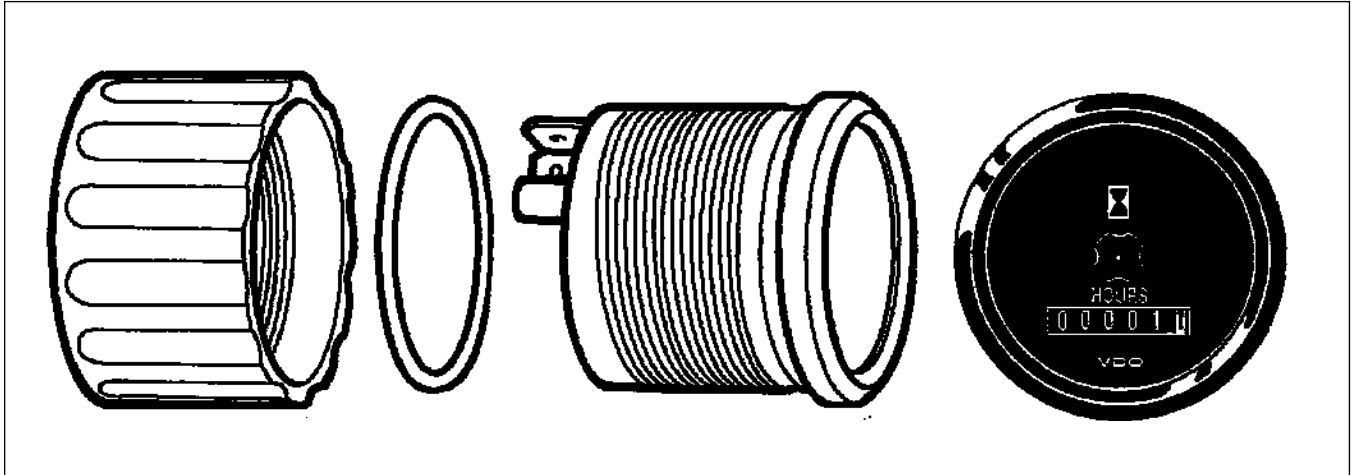
电子小时计数器 (外壳直径:52 mm)

Type: VDO cockpit international

Description: Display of operating hours.

类型: VDO cockpit international

描述: 显示运转小时数



Design:

Bezel: plastic, black, triangular version
 Lens: glazing glass, nonreflective
 Dial: black background
 with white characters
 Indication wheel: red
 Counter: number wheels: 5x black with white figures
 1x white with red figures (1/10h-wheel)
 Housing: plastic, flame retardant
 Mounting: clamp ring, plastic
 Connections: blade terminals 6.3 x 0.8mm
 DIN 46244 (reverse-polarity
 protection) Illuminated or no illumination

Technical Data:

Operating voltage: 9V to 16V or 18V to 28V
 Current consumption at room temperature: at
 13.5V: < 10mA at
 26V: < 23mA
 Operating temperature: -40°C to +85°C
 Storage temperature: -40°C to +90°C
 Protection: IP65 DIN 40050 front side
 IP42 DIN 40050 rear side
 CE approved, KBA registration
 Vibration resistance (acc. to IEC 60068 part 2-6):
 2g, 25Hz to 500Hz, 24h x, y, z

设计:

仪表框: 塑料, 黑色, 三角形版本
 透镜: 上釉玻璃, 不反光
 钟面: 黑底白字
 指示轮: 红色
 计数器: 数字轮: 5x 黑底白边
 1x 白底红边 (1/10小时-轮)
 外壳: 塑料, 耐火
 安装: 压紧环, 塑料
 连接: 扁平端子 6.3 x 0.8mm
 DIN 46244 (极性反接保护) 有照明或无照明

技术参数:

工作电压: 9V到16V或18V到28V
 室温下电流消耗: 13.5 V时: < 10mA
 26 V时: < 23mA
 工作温度: -40°C到+85°C
 储存温度: -40°C到+90°C
 保护等级: IP65 DIN 40050正面
 IP42 DIN 40050背面
 CE 认证, KBA注册
 抗震能力 (符合 IEC 60068第2-6部分):
 2g, 25Hz到 500Hz, 24小时 x, y, z

电子小时计数器 Electronic Operating Hours Counters

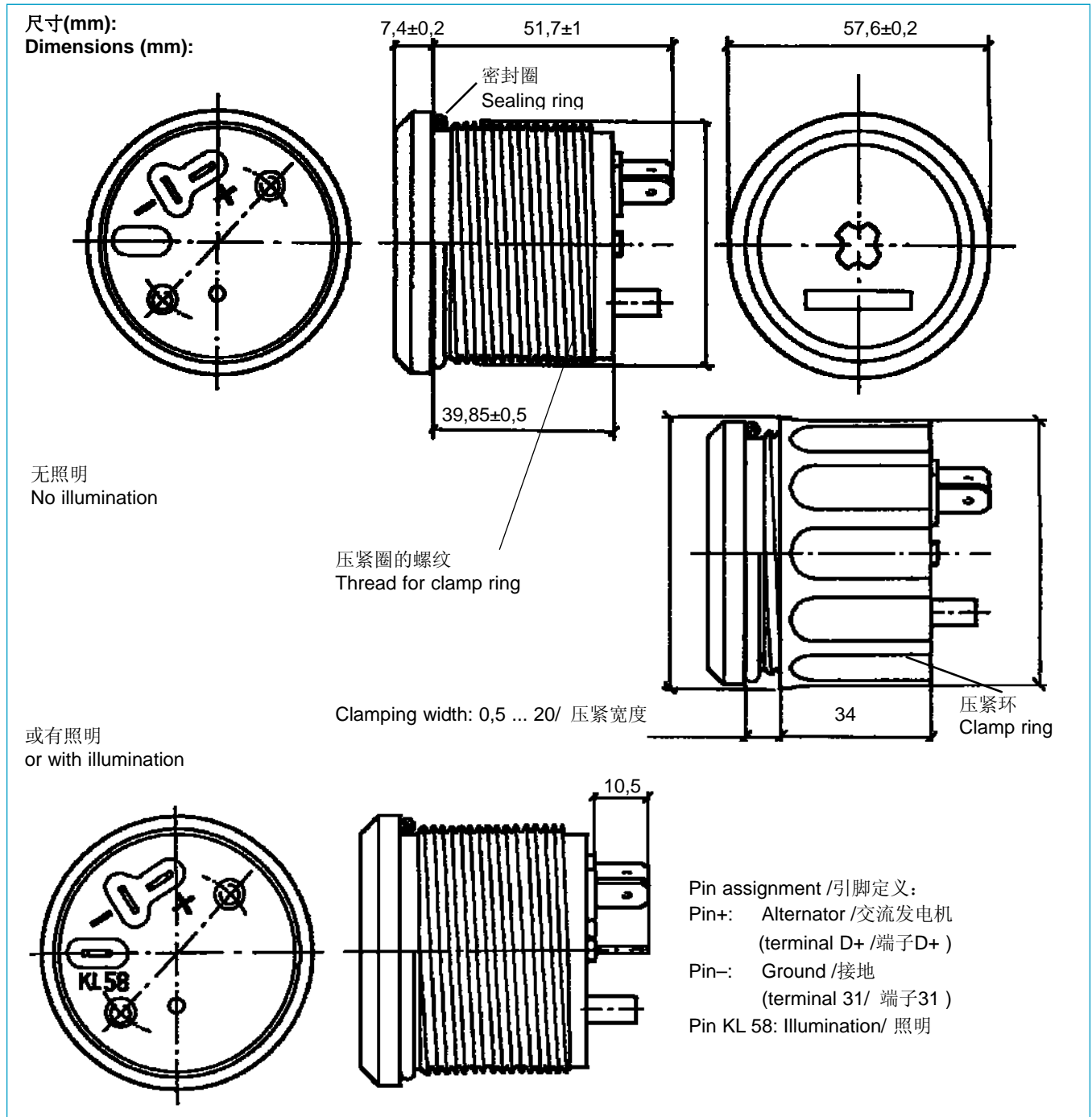
Type: VDO cockpit international / 类型: VDO cockpit international

Technical Data:

Physical shock (according to IEC 68 part 2-27):
100g, 6ms, 2 times x, y, z
Operating hours counting:
99999,9 h max. (nonresettable)
Indication accuracy:
at room temperature: ± 5s per day
-40°C to + 85°C: max. -10s per day

技术参数:

物理震动 (符合IEC 68第2-27部分):
100g, 6ms, 2次 x, y, z
运转小时计数:
最多99999,9小时 (不可重置)
指示精度:
室温: ± 5秒/天
-40°C到+ 85°C: 最大-10秒/天



电子小时计数器

Electronic Operating Hours Counters

Type: VDO cockpit international / 类型: VDO cockpit international

Instruments Survey

仪表综述

量程 Measuring Range	钟面图形 Dialgraphics	版本 Version	订单号 Order No.
99999,9 Std. hours	 HOURS VDO	12V no illumination / 无照明	331-810-012-001B 331-810-012-001G
99999,9 Std. hours	 HOURS VDO Min. scale/ 最小量程	12V Minutes hand (wt)/ 分钟指针 no illumination/ 无照明	331-810-012-002B 331-810-012-002G
99999,9 Std. hours	 HOURS VDO	12V Mirror polish chrom plated 镜面 抛光 镀铬 no illumination / 无照明	331-810-012-003B
99999,9 Std. hours	 HOURS VDO	12V 有照明(白色) with illumination (white)	331-810-012-004B
99999,9 Std. hours	 HOURS VDO	24V 有照明(白色) illumination possibility (white)	331-810-012-007B 331-810-012-007G